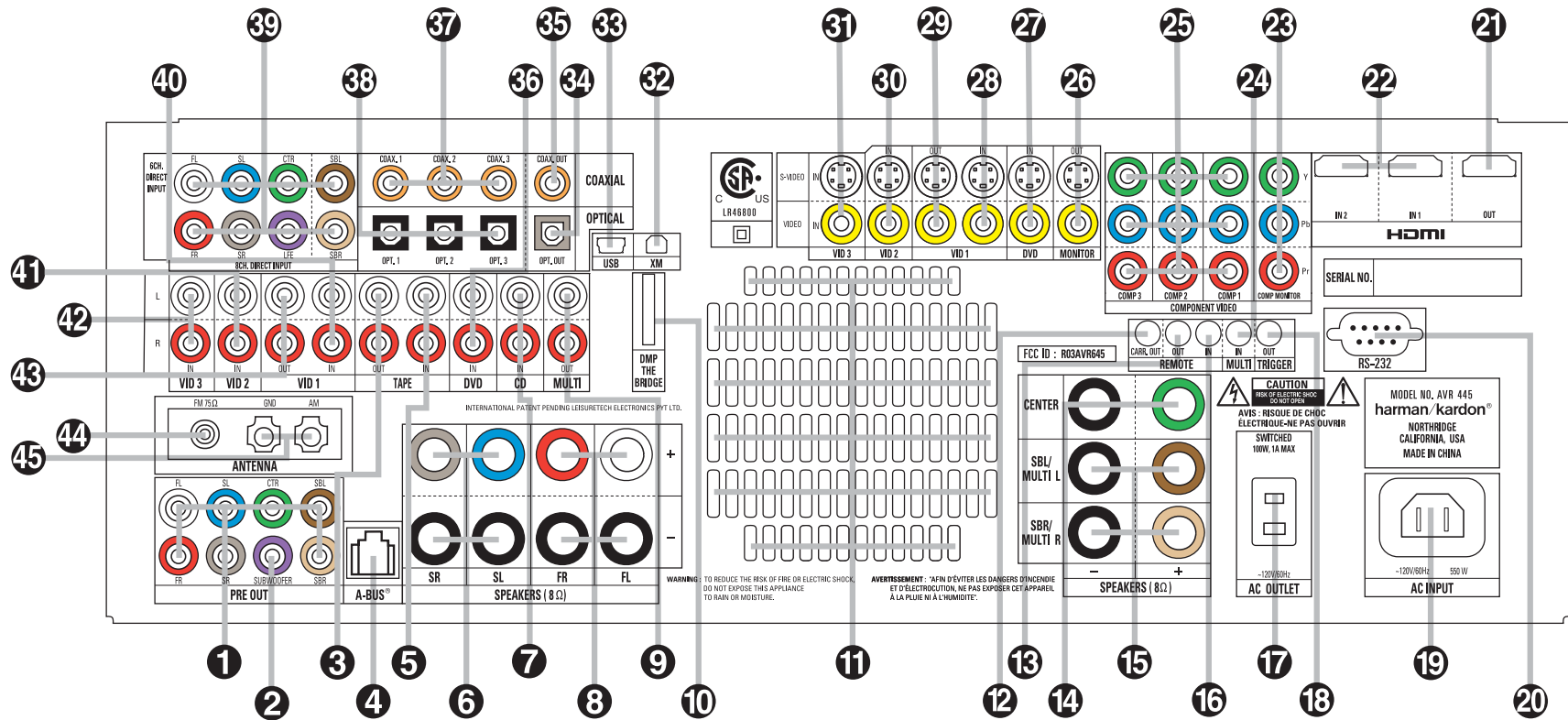


# AVR 445 REAR-PANEL CONNECTIONS



- |   |                                    |                                 |
|---|------------------------------------|---------------------------------|
| 1 Preamp Outputs                                      | 16 IR Input                        | 31 Video 3 Video Inputs         |
| 2 Subwoofer Output                                    | 17 Switched AC Accessory Outlet    | 32 XM Ready Input               |
| 3 Tape Outputs  | 18 Trigger Output                  | 33 USB Connector                |
| 4 A-BUS Connector                                     | 19 AC Power Cord Socket            | 34 Optical Digital Audio Output |
| 5 Tape Inputs   | 20 RS-232 Port                     | 35 Coaxial Digital Audio Output |
| 6 Surround Speaker Outputs                            | 21 HDMI Output                     | 36 DVD Audio Inputs             |
| 7 CD Audio Input                                      | 22 HDMI Inputs                     | 37 Coaxial Digital Audio Inputs |
| 8 Front Speaker Outputs                               | 23 Component Video Monitor Outputs | 38 Optical Digital Audio Inputs |
| 9 Multiroom Audio Outputs                             | 24 Multiroom IR Input              | 39 8-Channel Direct Inputs      |
| 10 <b>The Bridge</b> Digital Media Player (DMP) Input | 25 Component Video Inputs          | 40 Video 1 Audio Inputs         |
| 11 Fan Vents  | 26 Video Monitor Outputs           | 41 Video 2 Audio Inputs         |
| 12 Full Carrier IR Output                             | 27 DVD Video Inputs                | 42 Video 3 Audio Inputs         |
| 13 IR Output  | 28 Video 1 Video Inputs            | 43 Video 1 Audio Outputs        |
| 14 Center Channel Speaker Outputs                     | 29 Video 1 Video Outputs           | 44 FM Antenna Jack              |
| 15 Surround Back/Multiroom Speaker Outputs            | 30 Video 2 Video Inputs            | 45 AM Antenna Connections       |

NOTE: To assist in making the correct connections for multichannel input, output and speaker connections, all connection jacks and terminals are color-coded as follows:

Front Left:	White
Front Right:	Red
Center:	Green
Surround Left:	Blue
Surround Right:	Gray
Surround Back Left:	Brown
Surround Back Right:	Tan
Subwoofer:	Purple
Coaxial Digital Audio:	Orange
Composite Video:	Yellow
Component Video "Y":	Green
Component Video "Pr":	Red
Component Video "Pb":	Blue
Optical Digital In:	Black
Optical Digital Out:	Gray